

1 8 1 8

**work surface**

Generous 18" x 18" work space.  
 No sharp corners prevents injury  
 and facility damage.  
 Note: Optional top sizes available at an  
 additional charge and lead time.

**height adjustable**

Custom designed pneumatic cylinder allows  
 height adjustments with a touch of the foot pedal.

**FRS Mobile Power**

Runtime unmatched by  
 others in the industry.\*



**slide thru top**

When extra work space is needed.  
 Convenient slide through work surface  
 accommodates left or right hand users.

**locking drawer**

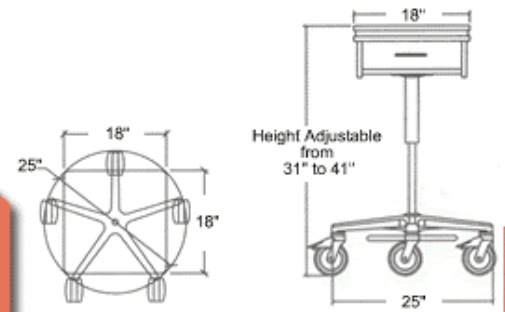
Protect and secure sensitive items with  
 the standard key lock supplied.  
 Drawer dimensions 3"h x 13"d x 13"w  
 Note: Optional push button combination lock  
 can be substituted at an additional charge.

**five-star base**

25" Aluminum base for  
 non-tip stability.

**casters**

4" diameter wheel makes frequent  
 equipment transportation effortless.  
 new quiet polyurethane tread and  
 two (2) locking casters are standard.



**FRS 1818 DR SL**

Foot Release w/ 1818 Drawer Slide Thru Top

This height-adjustable CompuCaddy is the ultimate in convenience and ergonomics. With the touch of a foot pedal, each user can position the monitor and keyboard where they're most useful and comfortable.

- Unique pneumatic cylinder allows height adjustments by foot pedal. Height adjustment from 31" to 41".
- 3/4" -thick top features a bump-resistant T-molded edge.
- Various tops available to accommodate any system.
- Five-star, heavy-duty, chrome-plated aluminum base for non-tip stability.

4" casters move with ease across any flooring

Note: Only the FRS Mobile Power can be used with this cart.

800.264.4734

502.561.0732 935 West Oak Street Louisville, Ky 40203

© 2006, Diversified Designs, Inc.